



T-HANDLE FOR QUARTER-TURN LATCHES

T-handle for quarter turn latches with standard insert. The handle can be mounted afterwards and parts do not protrude during transportation.

Supplied with screw and screw cover.

MATERIAL

Cover plug: Glass fibre reinforced polyamide (PA6GF30)

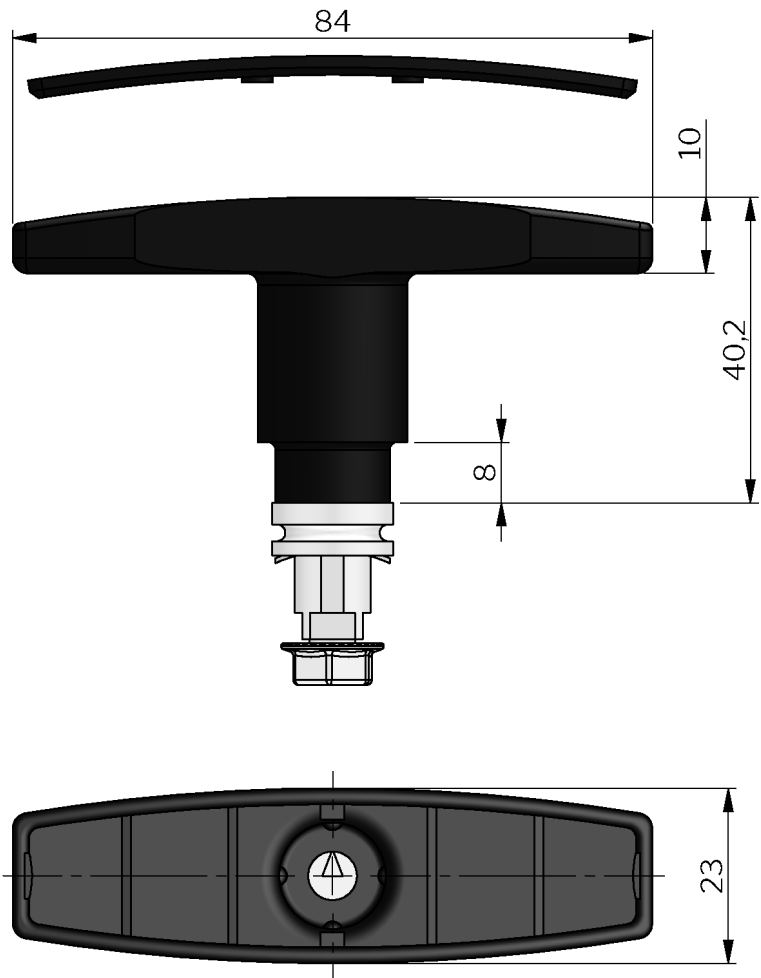
Handle: Glass fibre reinforced polyamide (PA6GF30)

Screw: Steel, zinc plated

RELATED PRODUCTS

Quarter-turns: 2-020, 2-040, 2-060, 6-110, 6-115

Use the Index Code at industrilas.com



P/N	Description	For insert
255069	T-handle for standard insert	Square 8 / M6